



AeroMatic

Product Description

A powered roof ventilator that combines inverter speed control technology with a low voltage electronic brushless motor to provide exceptional energy efficiency, high flow rate and low operational noise.

Applications

AeroMatic can be used in either variable or fixed speed modes for temperature or condensation control of roof spaces.

Benifits

Automatically responds to roof space temperature conditions in order to maintain an optimal

ventilation rate and reduce energy consumption. This results in better performing insulation and a reduced heat load on ducted air conditioning.

In cooler climates, the AeroMatic allows for energy efficient ventilation to reduce the likelihood of roof space condensation.

Specification

“The roof ventilator shall be CSR Edmonds AeroMatic with inverter speed control technology, 24VDC electronic commutating motor, exhaust rate up to 647m³/hr and maximum noise 52.9dB(A)@1m.”

SKU Table

AeroMatic	Material Code	Carton Size (L x W x H)
Headland	112153	520 x 235 x 520 mm
Night Sky	112154	520 x 235 x 520 mm
Surfmist	112155	520 x 235 x 520 mm
Woodland Grey	112156	520 x 235 x 520 mm

Product Specifications

General:	
Type	Axial flow fan roof ventilator
Fan diameter	230mm
Throat diameter	250mm
Product Weight	2.71kg
Packaged Weight	4.45kg
Roof Slope Installation Range	3° to 35°
Material:	
Dome	Plastic (PMMA - Clear, High Impact)
Housing	Plastic (ASA)
Flashing	Aluminium (Soft)
Fan & Motor Housing	Plastic (PP-TD30)
Fan Impeller	Plastic (PA6-GF30)
Screws	Steel - Zinc Plated
Electrical: Power supply	
Type	Electronic Switching Mode
Input Voltage	100-240VAC, 1~, 50/60Hz
Output	24 VDC
Installation Location	Indoor, dry area
Electrical: Fan motor	
Type	Electronic Commutating (EC) Motor
Internal Voltage	24 VDC
Protection Class	IP54
Cable Length	Approx 10m (see diagram)

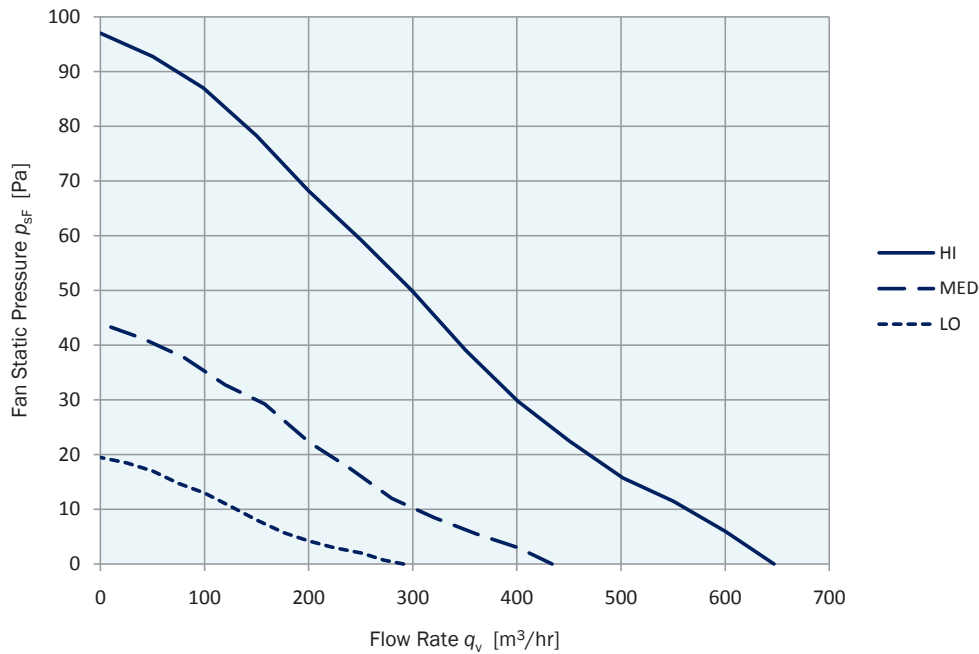
Performance

Speed	Sound Pressure Level LA @ psF = 0 [dB(A)] **	Max. running power consumption [W] *	Flow rate qv @ psF = 0 [m³/hr]	Specific Flow rate @ psF = 0 [m³/hr/W]
LO	35.4	5.8	291	56
MED	45.1	15.6	434	31
HI	52.9	37	647	19

* Primary side power consumption calculated by AS4665.1 using measured secondary side values.

** Sound Pressure Level measured 1m from inlet.

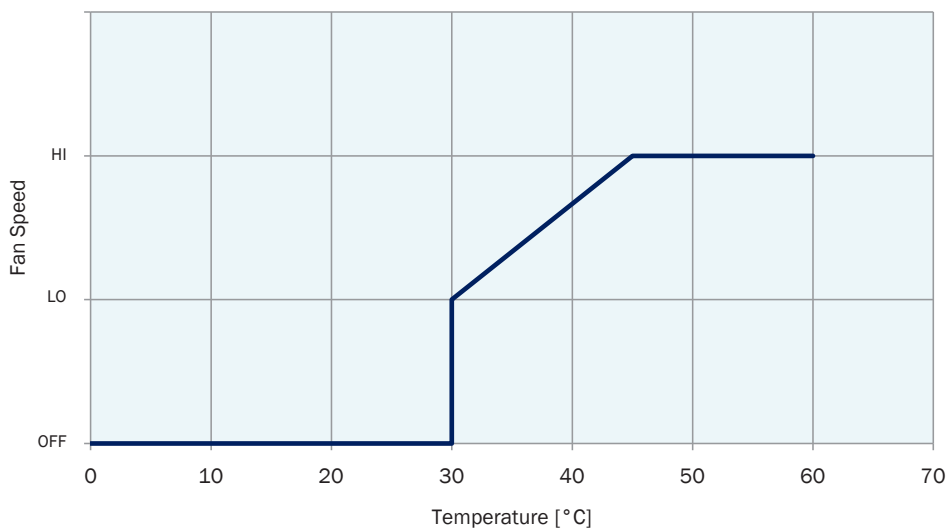
Characteristic Curves



Automatic Speed Control Operation

Type	Pre-set Temperature Sensing Electronic Speed Controller
Input Voltage	24 VDC
Installation Location	Dry indoor use only
Fixed Speed Operation	3 fixed speeds (LO, MED, HI), manually selectable via rotary selector switch
Automatic Variable Speed Operation	Variable speed response relative to ambient temperature of speed controller location. Fan starts on LO speed when temperature reaches 30° C and then ramps up to HI speed at 45° C according to the following chart. Note: this mode is not recommended for condensation control applications.

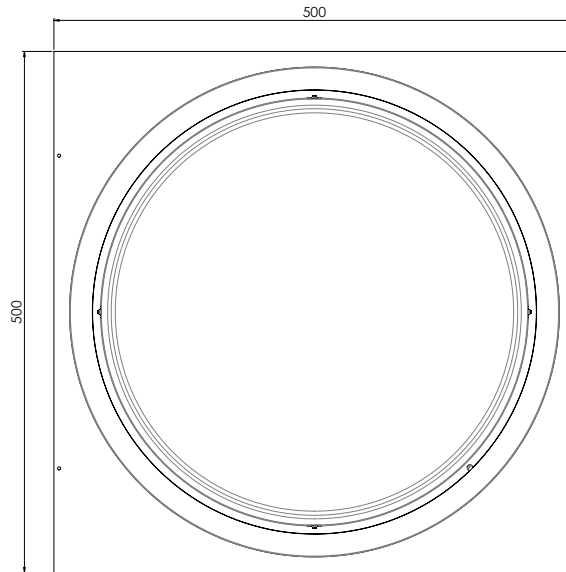
Speed Controller Variable Speed Response - Auto Mode



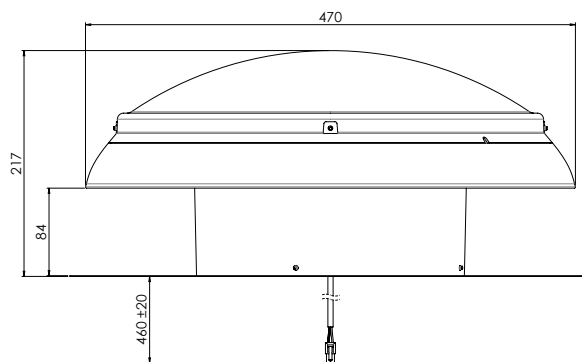
AiroMatic

Drawings

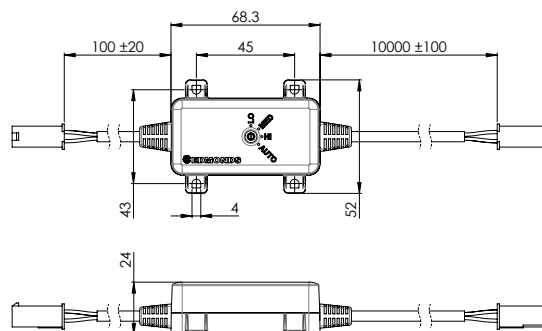
Top View



Front View



Speed Controller



Publish date: 05/14 Doc ref: TECHSH168 Rev: C



CSR Bradford
PO Box 204115, Highbrook, Auckland, 2161
Telephone 0800 277 123

www.edmondsventilation.co.nz

CSR Bradford is a business division of CSR Building Products (NZ) Limited

The contents of this brochure are copyright protected and may not be reproduced in any form without prior written consent of CSR Bradford. Recommendations and advice regarding the use of the products described in this brochure are to be taken as a guide only, and are given without liability on the part of the company or its employees. We reserve the right to change product specifications without prior notification, please refer to the Edmonds website for the latest version of this document. The purchaser should independently determine the suitability of the product for the intended use and application.



Global-Mark.com.au®

AiroMatic – DATA SHEET

CSR