

# Industrial Ventilator Special Bases

Refer to product table below for applicable product codes covered by this document

Issue **B**

## Product Type & Application

Bradford® Ventilation Industrial Ventilator Special Bases are designed to be used with the Hurricane® and EcoPower® ventilators. Industrial Ventilator Special Bases are custom made to a specific roof type and roof pitch replacing the standard ventilator varipitch and flashing.

## Compliance with the NCC

There are no relevant clauses within the NCC for this product to comply with.

## Evidence of Suitability

There are no relevant clauses within the NCC to show compliance with – refer to the Additional Data section of this PTS for other compliance data.

## Conditions of Storage, Use & Maintenance

- Store in the original packaging in a cool and dry area.
- These products require regular checking for wear/tear.
- These products require regular inspection and maintenance, which should be increased in frequency when used in harsh environments.
- Do not attempt to repair – contact Bradford Ventilation for service advice.

**Refer to the product warranty at [bradfordventilation.com.au](http://bradfordventilation.com.au) for more information.**

## Limitations of Use

- **IMPORTANT** - Do Not Modify This Product: Performance and safety are only achieved by the product or configuration listed in this PTS.
- Do not use for exhausting hazardous, abrasive, acidic and alkaline vapour or areas containing explosive or corrosive materials.
- This product has not been tested for use in cyclonic wind regions C or D.
- This product is not suitable for use in Bush Fire BAL-12.5 to BAL-40 or BAL-FZ rated areas.
- These products are designed to be used with Bradford Ventilation Hurricane® and EcoPower® ventilators only.
- Seek technical advice from Bradford Ventilation on application suitability if unsure.

## Specific Design or Installation Instructions

- Isolate power before installation.
- The ventilator turbine that will be attached to this special base product must be installed upright to ensure correct operation.

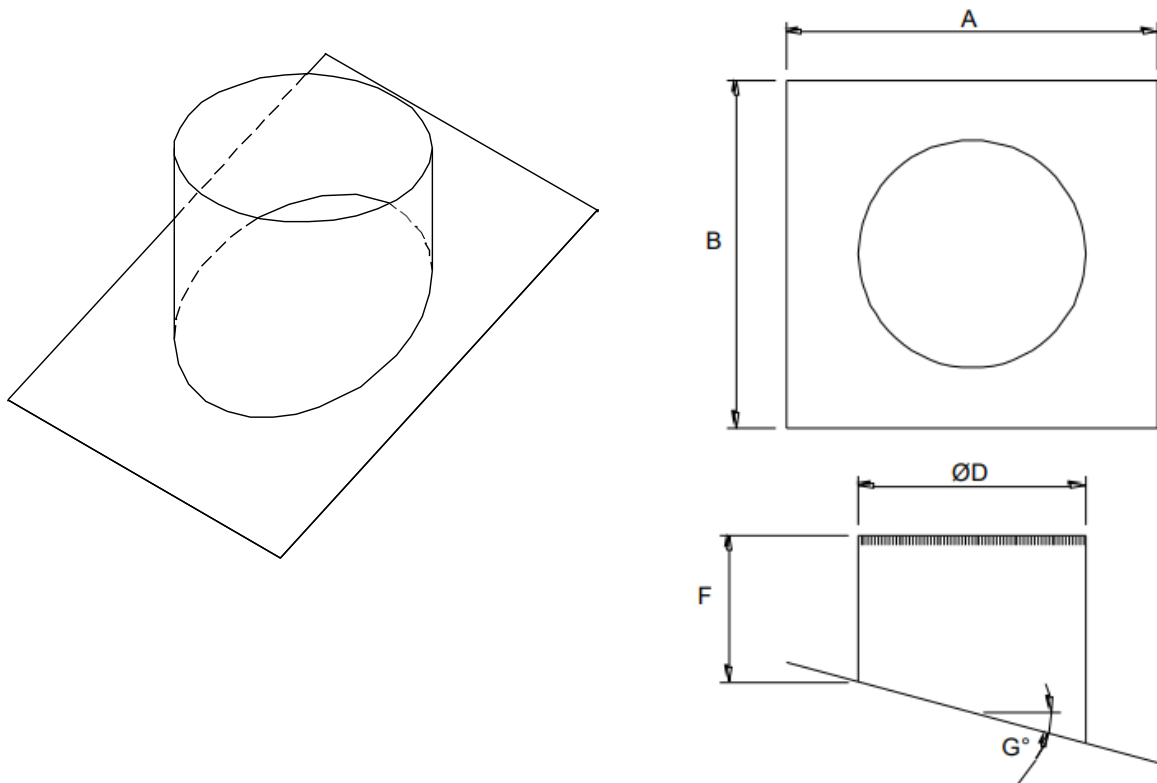
**For general installation guidance refer to the product installation guide at [www.bradfordventilation.com.au](http://www.bradfordventilation.com.au)**

## Industrial Ventilator Special Bases

### Applicable Product Codes (SKU) – Type 1 Spigot Slope Base

Size (mm)	300		400		450		500		600		700		900	
Finish	Mill	Colour	Mill	Colour	Mill	Colour	Mill	Colour	Mill	Colour	Mill	Colour	Mill	Colour
Code	61815	61823	61816	61824	61817	61825	61818	61826	61819	61827	61820	61828	61822	61830

### Product Illustration & Drawing



Size (mm)	300	400	450	500	600	700	900
A	600	750	750	750	1000	1000	1200
B	500	700	700	700	1000	1000	1200
D	305	405	458	507	598	699	895
F (T1,2,5 & no damper)	220	270	295	320	370	420	520
F (T6 damper)	295	390	440	490	590	N/A	N/A
G° (min-max)	0.5 - 45	0.5 - 45	0.5 - 45	0.5 - 45	0.5 - 45	0.5 - 45	0.5 - 35

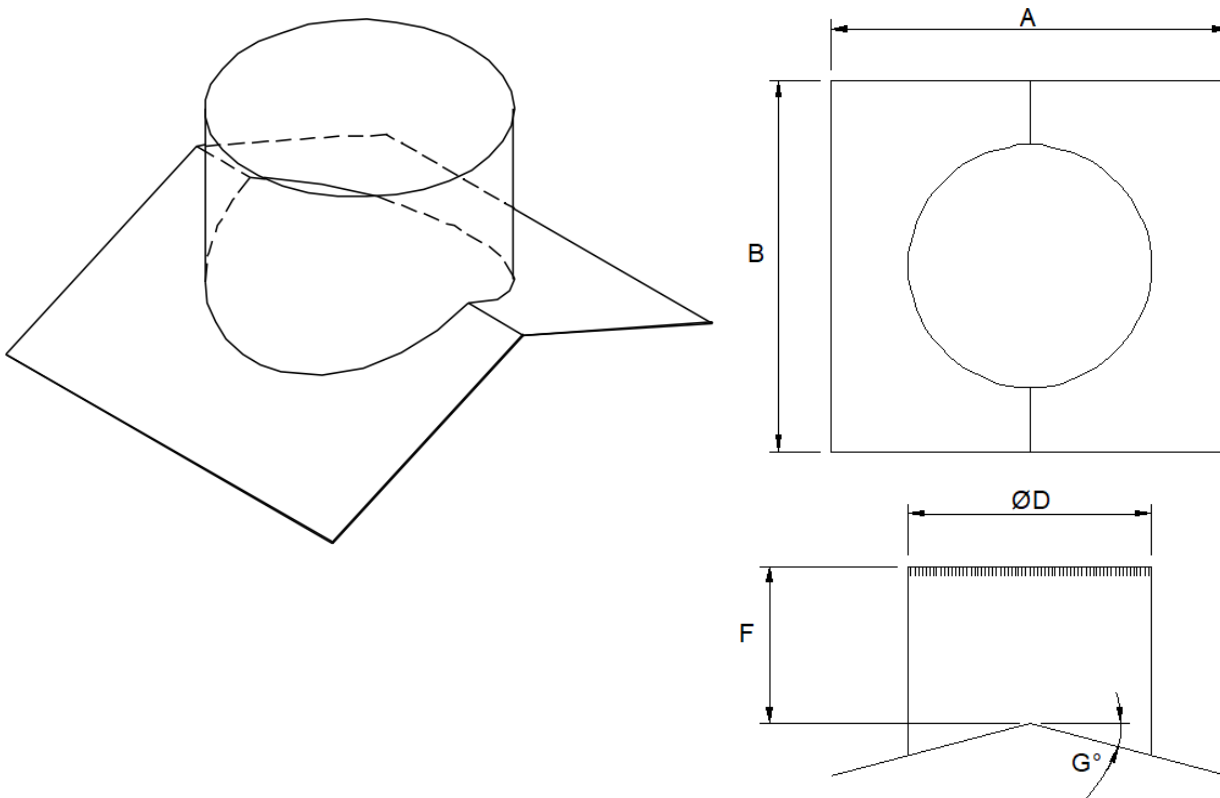
All dimensions are in mm and angles are in degrees. G° is the base roof slope angle and must be specified with the base order. The range of G° available in 0.5° increments for the different base types are listed in the tables above.

## Industrial Ventilator Special Bases

### Applicable Product Codes (SKU) – Type 2 Spigot Ridge Base

Size (mm)	300		400		450		500		600		700		900	
Finish	Mill	Colour	Mill	Colour	Mill	Colour	Mill	Colour	Mill	Colour	Mill	Colour	Mill	Colour
Code	61831	61839	61832	61840	61833	61841	61834	61842	61835	61843	61836	61844	61838	61846

### Product Illustration & Drawing



Size (mm)	300	400	450	500	600	700	900
<b>A</b>	600	750	750	750	1000	1000	1200
<b>B</b>	500	700	700	700	1000	1000	1200
<b>D</b>	305	405	458	507	598	699	895
<b>F (no damper)</b>	150	150	150	150	150	150	250
<b>F (T1,2,5 damper)</b>	220	270	295	320	370	420	520
<b>F (T6 damper)</b>	295	390	440	490	590	N/A	N/A
<b>G° (min-max)</b>	0 - 60	0 - 60	0 - 60	0 - 60	0 - 60	0 - 60	0 - 55

All dimensions are in mm and angles are in degrees. G° is the base roof slope angle and must be specified with the base order. The range of G° available in 0.5° increments for the different base types are listed in the tables above.

CSR Bradford Locked Bag 1345 North Ryde BC NSW 1670  
[csrbradford.com.au](http://csrbradford.com.au)

For further technical advice  
 call 1300 850 305 or visit [csrbradford.com.au](http://csrbradford.com.au)

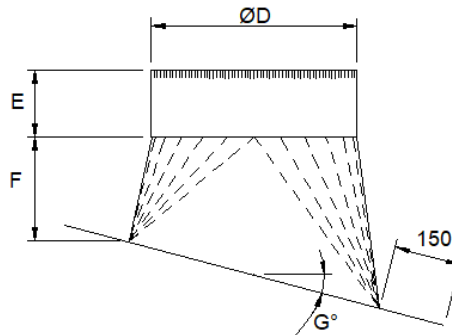
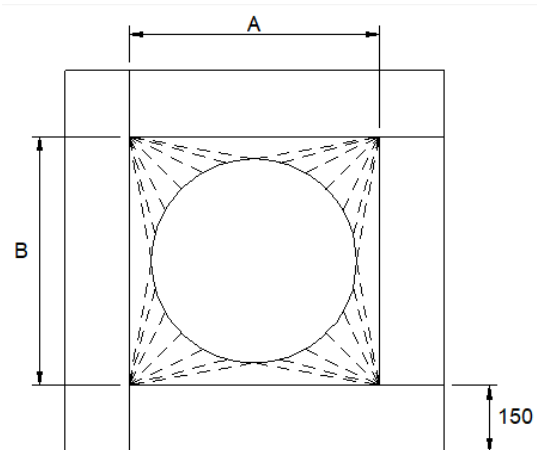
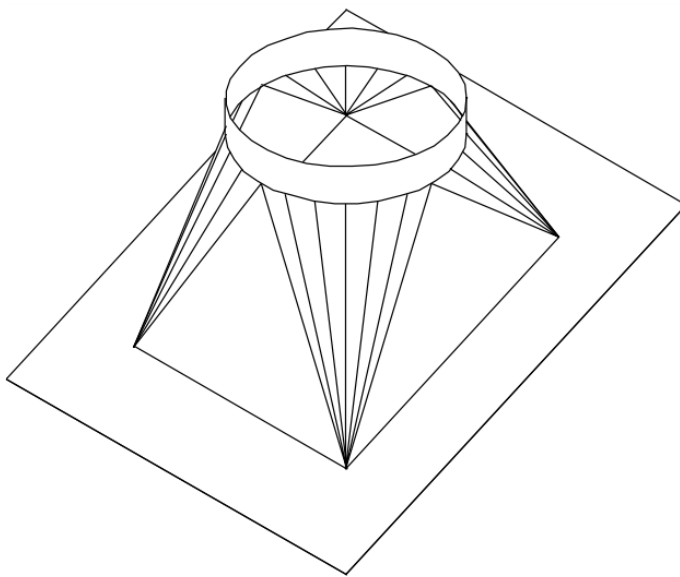
CSR Bradford is a business division of CSR Building Products Limited ABN 55 008 631 356  
 The contents of this brochure are copyright protected and may not be reproduced in any form without prior written consent of CSR Bradford. Recommendations and advice regarding the use of the products described in this brochure are to be taken as a guide only, and are given without liability on the part of the company or its employees. We reserve the right to change product specifications without prior notification, please refer to the CSR Bradford website for the latest revision of this document. The purchaser should independently determine the suitability of the product for the intended use and application.

## Industrial Ventilator Special Bases

### Applicable Product Codes (SKU) – Type 3 Square-to-Round Slope Type Base

Size (mm)	300		400		450		500		600		700		900	
Finish	Mill	Colour	Mill	Colour	Mill	Colour	Mill	Colour	Mill	Colour	Mill	Colour	Mill	Colour
Code	61847	61855	61848	61856	61849	61857	61850	61858	61851	61859	61852	61860	61854	61862

### Product Illustration & Drawing



Size (mm)	300	400	450	500	600	700	900
<b>A</b>	375	500	560	620	750	870	1120
<b>B</b>	375	500	560	620	750	870	1120
<b>D</b>	305	405	458	507	598	699	895
<b>E</b> (T1,2,5 & no damper)	150	150	150	150	150	150	150
<b>E</b> (T6 damper)	150	180	205	230	280	N/A	N/A
<b>F</b>	160	210	235	260	310	360	460
<b>G°</b> (min-max)	0.5 - 60	0.5 - 60	0.5 - 60	0.5 - 45	0.5 - 45	0.5 - 45	0.5 - 30

All dimensions are in mm and angles are in degrees. G° is the base roof slope angle and must be specified with the base order. The range of G° available in 0.5° increments for the different base types are listed in the tables above.

CSR Bradford Locked Bag 1345 North Ryde BC NSW 1670  
[csrbradford.com.au](http://csrbradford.com.au)

For further technical advice  
 call 1300 850 305 or visit [csrbradford.com.au](http://csrbradford.com.au)

CSR Bradford is a business division of CSR Building Products Limited ABN 55 008 631 356  
 The contents of this brochure are copyright protected and may not be reproduced in any form without prior written consent of CSR Bradford. Recommendations and advice regarding the use of the products described in this brochure are to be taken as a guide only, and are given without liability on the part of the company or its employees. We reserve the right to change product specifications without prior notification, please refer to the CSR Bradford website for the latest revision of this document. The purchaser should independently determine the suitability of the product for the intended use and application.

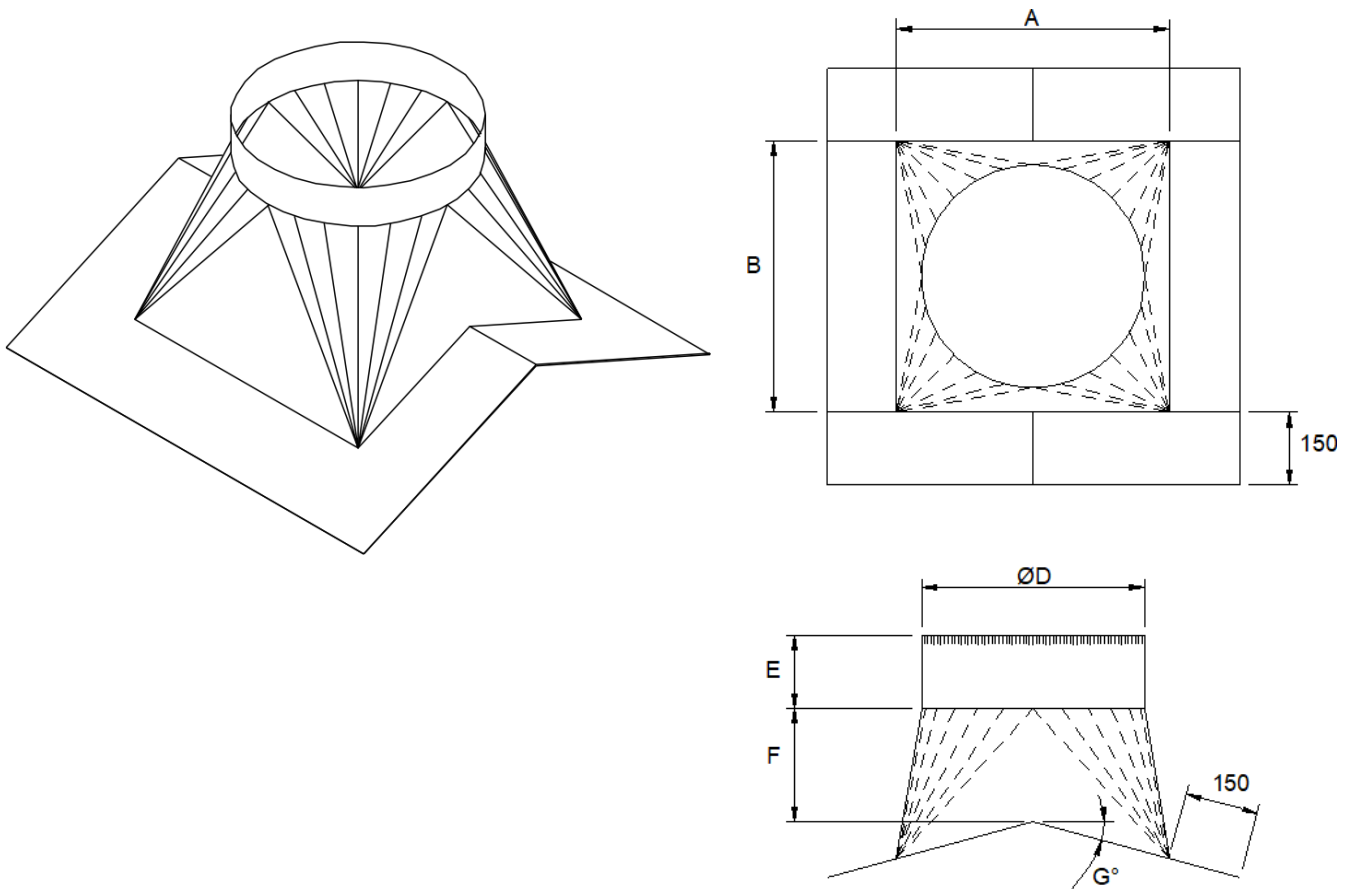


## Industrial Ventilator Special Bases

### Applicable Product Codes (SKU) – Type 4 Square-to-Round Ridge Type Base

Size (mm)	300		400		450		500		600		700		900	
Finish	Mill	Colour	Mill	Colour	Mill	Colour	Mill	Colour	Mill	Colour	Mill	Colour	Mill	Colour
Code	61863	61871	61864	61872	61865	61873	61866	61874	61867	61875	61868	61876	61870	61878

### Product Illustration & Drawing



Size (mm)	300	400	450	500	600	700	900
A	375	500	560	620	750	870	1120
B	375	500	560	620	750	870	1120
D	305	405	458	507	598	699	895
E (T1,2,5 & no damper)	150	150	150	150	150	150	150
E (T6 damper)	150	180	205	230	280	N/A	N/A
F	160	210	235	260	310	360	460
G° (min-max)	0 - 60	0 - 60	0 - 60	0 - 45	0 - 45	0 - 45	0 - 30

All dimensions are in mm and angles are in degrees. G° is the base roof slope angle and must be specified with the base order. The range of G° available in 0.5° increments for the different base types are listed in the tables above.

CSR Bradford Locked Bag 1345 North Ryde BC NSW 1670  
[csrbradford.com.au](http://csrbradford.com.au)

For further technical advice  
 call 1300 850 305 or visit [csrbradford.com.au](http://csrbradford.com.au)

CSR Bradford is a business division of CSR Building Products Limited ABN 55 008 631 356  
 The contents of this brochure are copyright protected and may not be reproduced in any form without prior written consent of CSR Bradford. Recommendations and advice regarding the use of the products described in this brochure are to be taken as a guide only, and are given without liability on the part of the company or its employees. We reserve the right to change product specifications without prior notification, please refer to the CSR Bradford website for the latest revision of this document. The purchaser should independently determine the suitability of the product for the intended use and application.

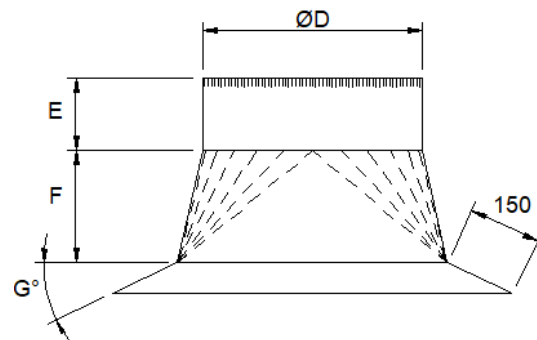
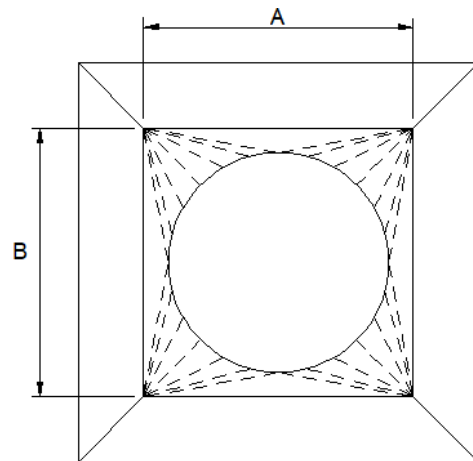
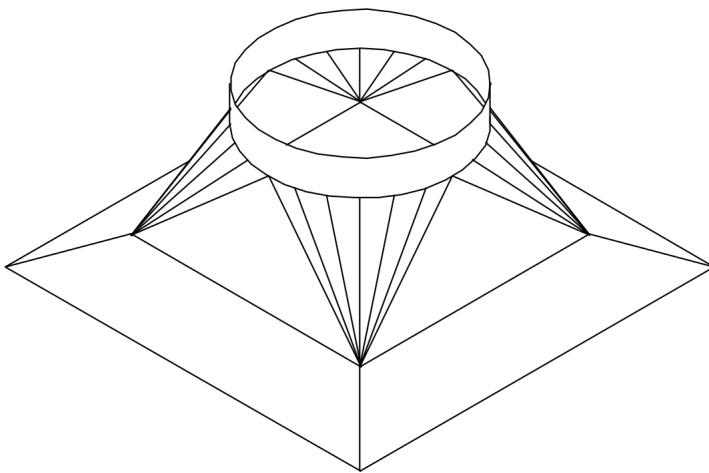


## Industrial Ventilator Special Bases

### Applicable Product Codes (SKU) – Type 6 Square-to-Round Pyramid Type Base

Size (mm)	300		450		500		600		700		900	
Finish	Mill	Colour	Mill	Colour	Mill	Colour	Mill	Colour	Mill	Colour	Mill	Colour
Code	61879	61887	61881	61889	61882	61890	61883	61891	61884	61892	61886	61894

### Product Illustration & Drawing



Size (mm)	300	400	450	500	600	700	900
A	375	500	560	620	750	870	1120
B	375	500	560	620	750	870	1120
D	305	405	458	507	598	699	895
E (T1,2,5 & no damper)	150	150	150	150	150	150	150
E (T6 damper)	150	180	205	230	280	N/A	N/A
F	160	210	235	260	310	360	460
G° (min-max)	0.5 - 60	0.5 - 60	0.5 - 60	0.5 - 60	0.5 - 60	0.5 - 60	0.5 - 60

All dimensions are in mm and angles are in degrees. G° is the base roof slope angle and must be specified with the base order. The range of G° available in 0.5° increments for the different base types are listed in the tables above.

CSR Bradford Locked Bag 1345 North Ryde BC NSW 1670  
[csrbradford.com.au](http://csrbradford.com.au)

For further technical advice  
 call 1300 850 305 or visit [csrbradford.com.au](http://csrbradford.com.au)

CSR Bradford is a business division of CSR Building Products Limited ABN 55 008 631 356  
 The contents of this brochure are copyright protected and may not be reproduced in any form without prior written consent of CSR Bradford. Recommendations and advice regarding the use of the products described in this brochure are to be taken as a guide only, and are given without liability on the part of the company or its employees. We reserve the right to change product specifications without prior notification, please refer to the CSR Bradford website for the latest revision of this document. The purchaser should independently determine the suitability of the product for the intended use and application.

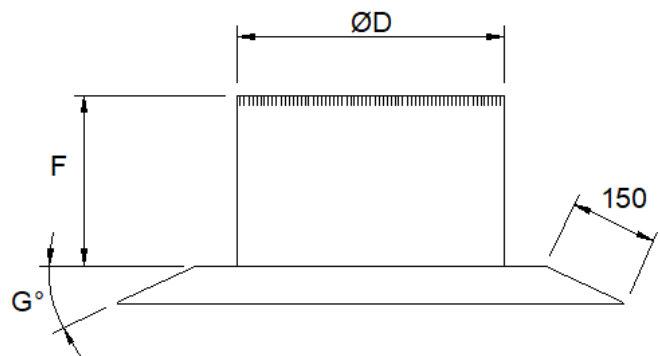
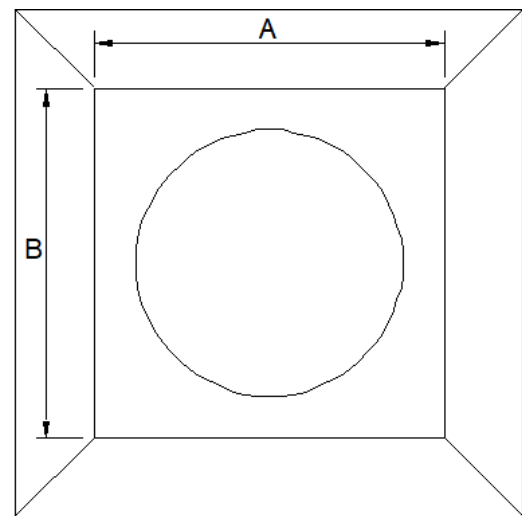
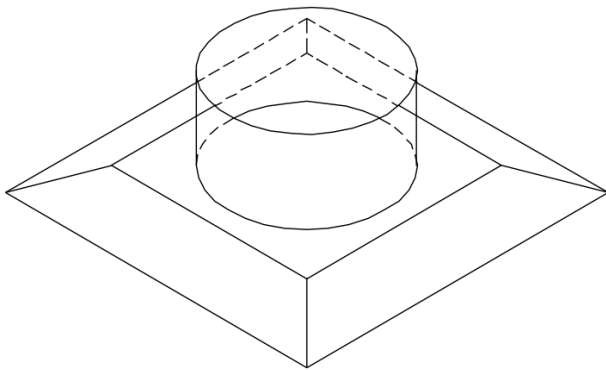


## Industrial Ventilator Special Bases

### Applicable Product Codes (SKU) – Type 7 Spigot Pyramid Base

Size (mm)	300		400		450		500		600		700		900	
Finish	Mill	Colour	Mill	Colour	Mill	Colour	Mill	Colour	Mill	Colour	Mill	Colour	Mill	Colour
Code	61831	61839	61832	61840	61833	61841	61834	61842	61835	61843	61836	61844	61838	61846

### Product Illustration & Drawing



Size (mm)	300	400	450	500	600	700	900
<b>A</b>	400	500	600	650	700	800	1050
<b>B</b>	400	500	600	650	700	800	1050
<b>D</b>	305	405	458	507	598	699	895
<b>F (no damper)</b>	150	150	150	150	150	150	250
<b>F (T1,2,5 damper)</b>	220	270	295	320	370	420	520
<b>F (T6 damper)</b>	295	390	440	490	590	N/A	N/A
<b>G° (min-max)</b>	0.5 - 60	0.5 - 60	0.5 - 60	0.5 - 60	0.5 - 60	0.5 - 60	0.5 - 60

All dimensions are in mm and angles are in degrees. G° is the base roof slope angle and must be specified with the base order. The range of G° available in 0.5° increments for the different base types are listed in the tables above.

## Industrial Ventilator Special Bases

---

### Specifications

<b>Material</b>	Aluminium 5005 H34 (1mm thickness). 0.55mm thickness Colorbond® steel available for Type 3 and Type 4 Special Bases.
<b>Finish</b>	Mill or Powder coated